

# DATA SHEET

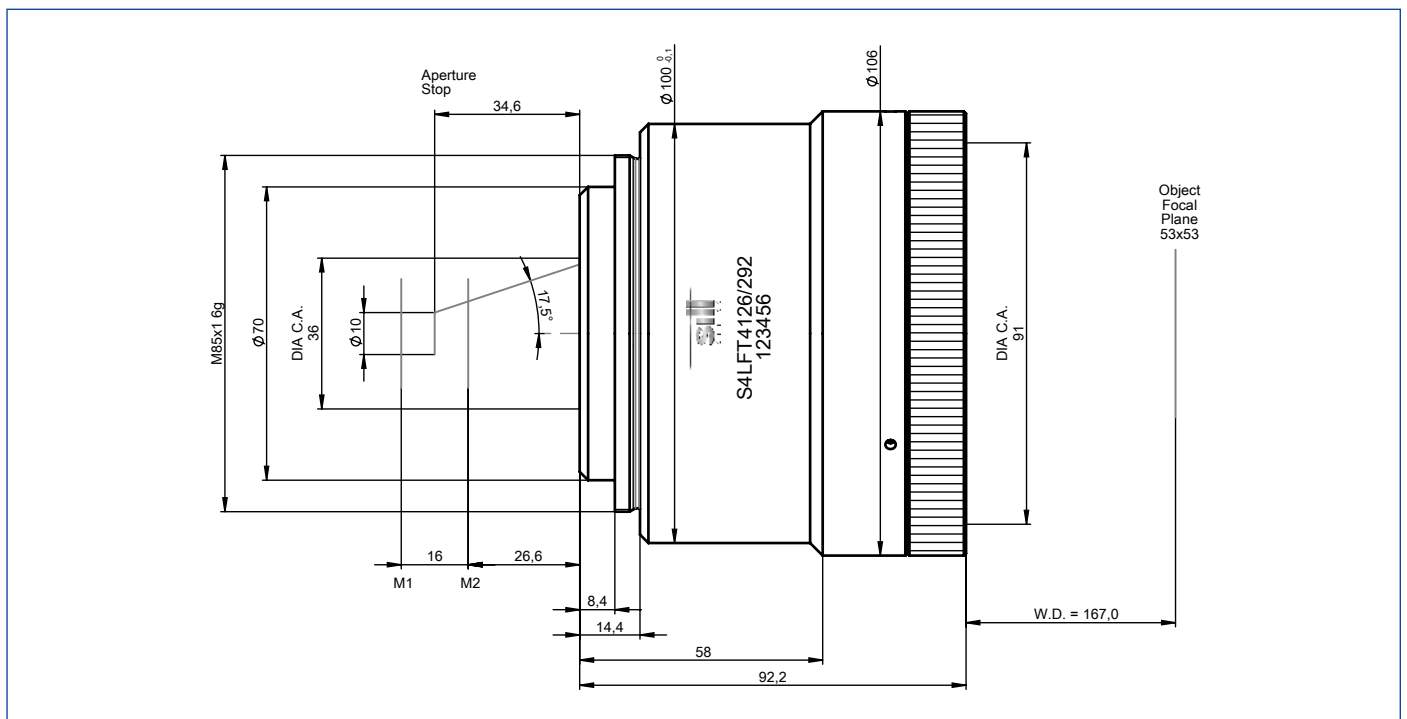


## S4LFT4126/292 telecentric F-Theta

- for 515 nm - 545 nm
- fused silica
- low absorption coating



illustration only



outline drawing

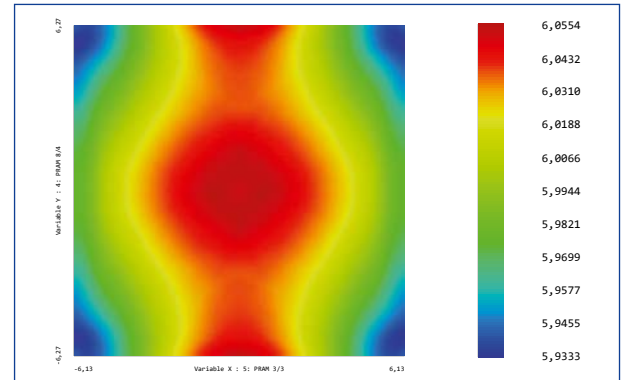
# DATA SHEET



## specifications

article number	S4LFT4126/292
design wavelength [nm]	532
effective focal length [mm]	125.3
max. entrance beam-Ø [mm]	10.0
optical scan angle [±°]	17.5
scan length [mm] (1 mirror system)	75.0
aperture stop distance [mm]	34.6
working distance [mm]	167.0
scan area for a 2 mirror system with mirror distance from lens housing for mirror 2 / mirror 1	53 x 53 26.6 / 42.6
max. telecentricity error [°]	1.4
total transmission [%]	> 97
lens material	fused silica
LIDT (coating)	2.5 J/cm <sup>2</sup> per 1ns pulse at 50Hz 2.5 MW/cm <sup>2</sup> cw
SP and USP usable [✓/✗]	✓
weight [kg]	1.30
cover glass	S4LPG2250/292
accessory	---

## spot



- spot radius in  $\mu\text{m}$  at 86% level for a Gaussian laser beam ( $M^2=1$ ) with 10 mm diameter at  $1/e^2$ , clipped at  $1/e^2$
- field size and mirror distances as given above for a 2 mirror scan system
- PRAM parameters: mechanical mirror scan angle

## notes

The aperture stop given is the point where the scan mirrors should be placed symmetrically around in order to reach best performance. In a 1 mirror system it is the position of the scan mirror.  
Aperture stop distance = front focal point in telecentric f-theta lenses

The calculations of the scan length and scan areas of our f-theta lenses are based on the geometric design of typical scan systems with a certain mirror spacing. The values given assume a vignetting of less than 1%. If used with non-typical scan systems or with scan systems which have been designed for larger or smaller laser beams, different scan lengths and scan areas will result.

Effective focal length and working distance have a tolerance of +/- 1.5%  
Graphs given by design

LIDT = Laser Induced Damage Threshold, valid for the coating at design wavelength and gaussian intensity profil  
General LIDT for lenses without SP/USP compatibility (short pulse or ultra short pulse) can be lower, depending on material and internal reflections.